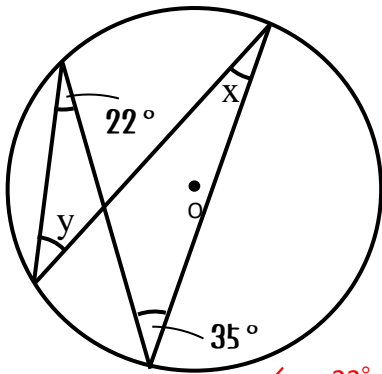
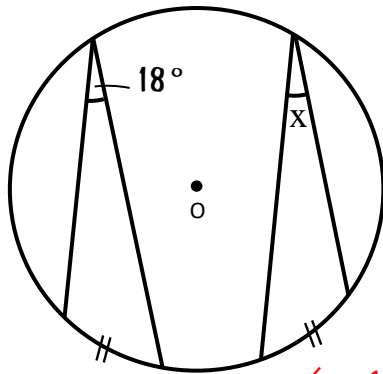


円周角の定理①(基本編)

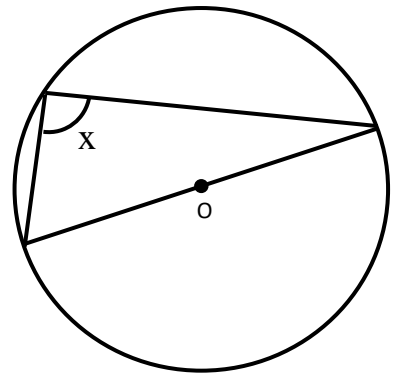
∠x, ∠yの角度を求めなさい。(点Oは円の中点)



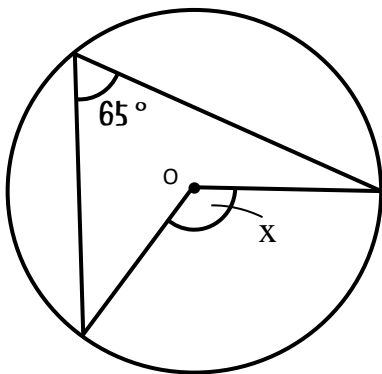
∠x = 22°
∠y = 35°



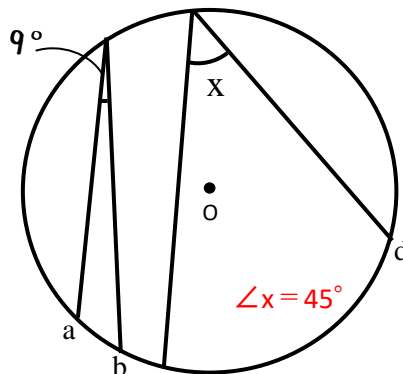
∠x = 18°



∠x = 90°

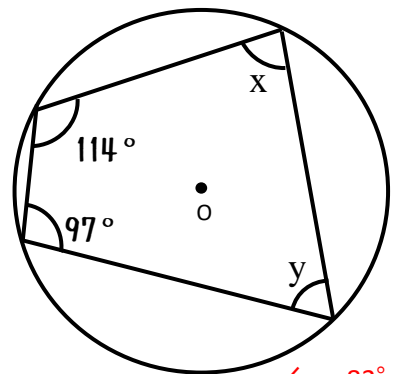


∠x = 130°

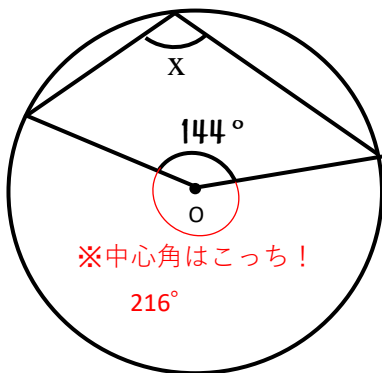


∠x = 45°

$\widehat{cd} = 5\widehat{ab}$



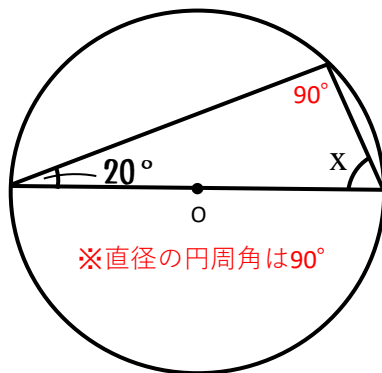
∠x = 83°
∠y = 66°



※中心角はこっち!

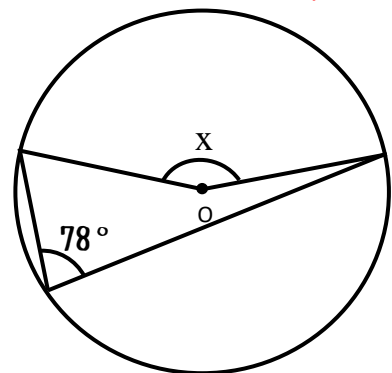
216°

∠x = 108°

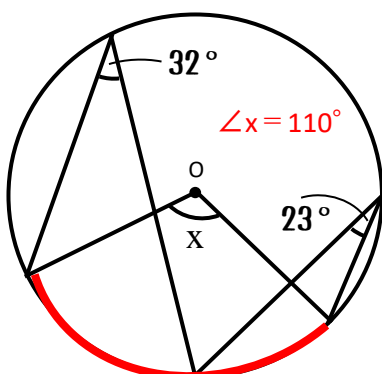


※直径の円周角は90°

∠x = 70°

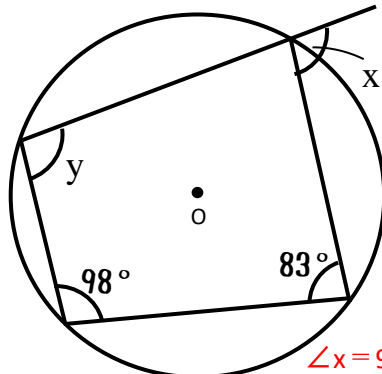


∠x = 156°



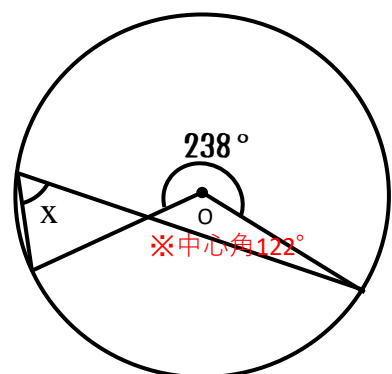
∠x = 110°

※対応する円周角は32° + 23°



∠x = 98°

∠y = 97°



※中心角122°

∠x = 61°